

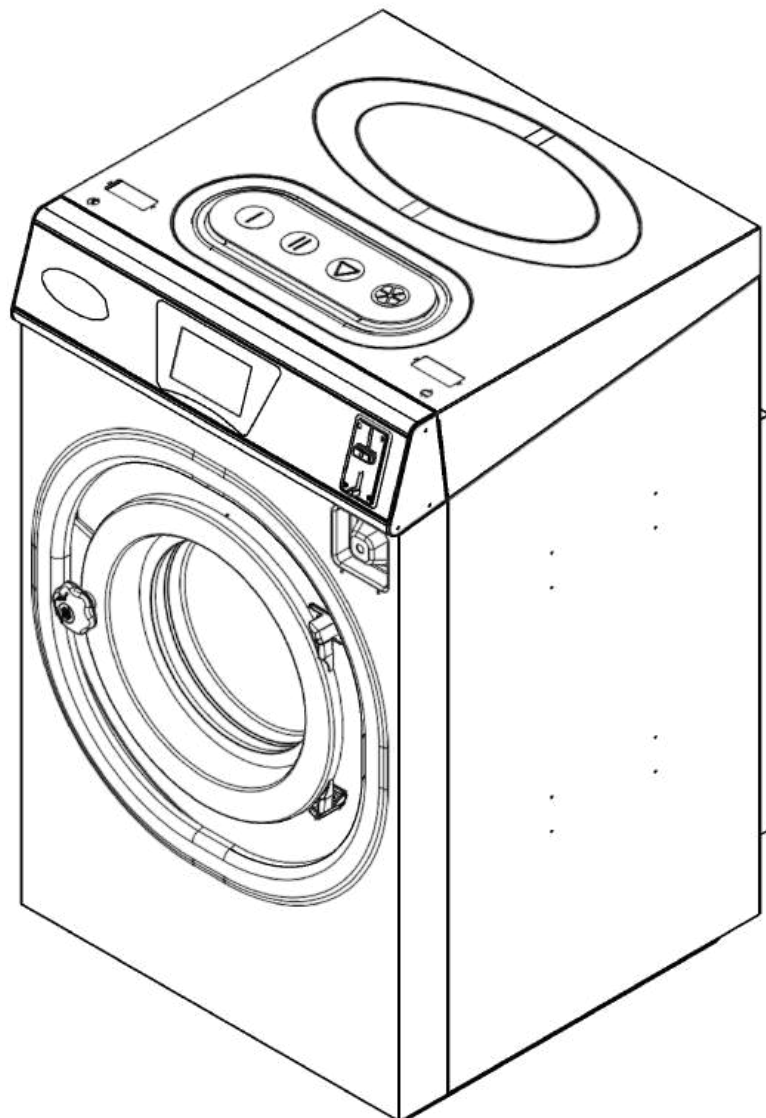


Soft mount washer extractor installation \ operation manual \ maintenance manual

The manual suitable for the following models:
LX13-W, LX16-W, LX22-W, LX27-W

Please read this manual thoroughly before use, and keep these instructions for future reference after reading.

Revision date: 2023/10/2



Contents

1. Washer Safety	1
1.1 Safety symbol.....	1
1.2 Safety instructions.....	2
2. Machine installation	5
2.1 Model size.....	5
2.2 Tools required for installation.....	6
2.3 Installation ground requirements.....	6
2.4 Mounting.....	8
2.5 Wiring.....	9
2.6 Water supply.....	11
2.7 Heating connection.....	12
2.8 Drain.....	12
2.9 External soap dispenser.....	14
3. Debugging	15
3.1 Debugging coin acceptor.....	15
3.2 Debugging the washing program.....	15
4. Simple operation and use	16
5. Maintenance	17
5.1 Daily cleaning and maintenance.....	17
5.2 Emergency unlocking.....	18
5.3 Common faults and solutions.....	19


1. Washer Safety

1.1 Safety symbol

Please read this part of the safety messages carefully, ignoring this part may cause damage to the machine or personal injury. The following warning symbol will be seen on the machine.

 WARNING 警告!		
Electrical shock hazard can cause death or serious injury To reduce the risk of electric shock, disconnect all electric power to appliance and accessories before servicing.		电击危险可能导致死亡或严重伤害为减少触电风险，维修前，请断开设备和配件的所有电源。
Moving parts hazard can cause serious injury Disconnect electric power to unit before servicing. Unexpected start of machinery will occur if the unit is equipped with the extended tumble feature		移动部件危险可能导致严重伤害。维修前断开设备的电源如果设备有延长的滚动功能，则会发生意外的机械启动。

For your personal safety, please do not touch this area during use . Be sure to disconnect the power supply when repairing or moving the machine.

 WARNING 警示!		
	To reduce the risk of electric shock, disconnect electric Power before servicing.	为减少触电风险，维修前，请断开设备和配件的所有电源。

NOTICE 警示!	
<p>Use only copper conductors with the following rating when wiring tumbler to electric supply: Gas and steam heat-75°C(67 F)minimum Electric heat- 90°C(1 94F)minimum Connect this tumbler to an individual branch circuit.</p> <p>Wiring Diagram Location: Inside electrical box.</p>	<p>使用符合以下规格的铜制导线连接烘干机和电源: 燃气和蒸汽加热-75°C(167 F)最少 电加热-90C(194 F)最少 烘干机配单独的断路器</p> <p>接线图: 在电箱内!</p>
<p>INSPECTED BY:</p> <p>检验:</p>	

The external power cord must meet the standards required for machine wiring.

Do not use power cable and pipes that do not meet the relevant standards.

1.2 Safety instructions

Please follow "**2 Machine Installation**" in this manual to install the washing machine.

All water pipes, drains, power supplies, and ground connections must comply with local regulations, and authorized personnel should complete the connections when necessary. It is recommended to ask professional technicians to install this machine.

Do not install or place the washing machine in humid or open air. To prevent fire or explosion , do not place flammable and explosive products in the area around the machine. Do not put the following substances or fabrics stained by the following substances into the wash water:

Gasoline, kerosene, wax, edible oil, vegetable oil, motor oil, dry cleaning solvents, flammable chemicals, thinners or other flammable and explosive substances as these substances may release gases that may cause the fabric to burn, explode or spontaneously ignite.

Under certain conditions , hydrogen gas (hydrogen is an explosive gas) may be produced in hot water systems that have not been used for long periods of time. If the hot water system has not been used for a long time , please open all hot water faucets and let the water run for a few minutes before using the washing machine . This allows the accumulated hydrogen to escape. The gas is flammable , please do not smoke or use an open flame while discharging water.

To reduce the risk of electric shock or fire , never use a substandard extension cable to connect the washer to the power source .

Do not let children play on or in the washing machine. When using the washing machine near children , they must be closely supervised. Do not allow young children or persons with impaired physical, sensory or mental abilities to use this appliance without supervision . Please supervise small children so that they do not play with this device. This safety rule applies to all equipment.

Do not reach into the drum or climb on top of the washer , especially while the drum is spinning. Such behavior presents a serious safety hazard and, if not avoided , may result in serious personal injury or death.

Do not operate the washing machine when its outer panel has been removed or damaged . Do not modify any safety devices or modify controls yourself.

This washing machine may only be used for its intended purpose. Never wash hard objects in the machine as this may cause serious damage to the drum.

Only use low-foaming, non-foaming industrial cleaners. Wear gloves and eye protection when adding cleaners and chemicals. Always read and follow manufacturer's instructions on laundry and cleaning aid packages. Heed any warnings or precautions. Always keep them out of the reach of children (preferably in a locked cabinet).

Do not use fabric softeners or products in this machine to eliminate static electricity unless specifically recommended by the fabric softener or product manufacturer. To avoid machine corrosion and component failure, never use corrosive chemicals in the machine.

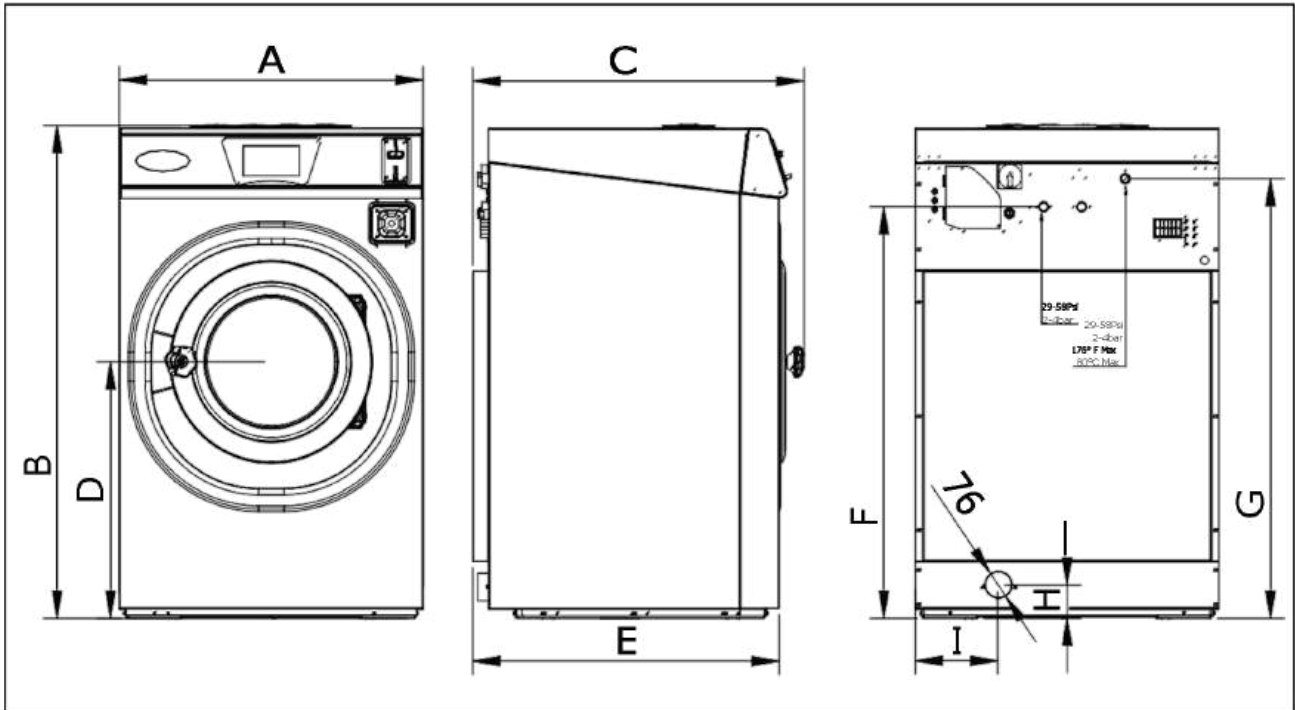
Always follow the fabric care instructions provided by the textile manufacturer.

Before filling the washing machine with water and running it, be sure to close the sealing door tightly. Do not allow the washer to operate with the seal door open by avoiding the loading door switch . Always wait until the washer has drained and all moving parts have stopped before trying to open the loading door.

Note that if the washing machine uses hot water to rinse the soap dispenser. Avoid opening the soap dispenser lid while the machine is running.

Do not place any objects on the soap dispenser nozzle. Sufficient clearance must be left for this purpose.

2. Machine installation



2.1 Model size

model	LX13-W	LX16-W	LX22-W	LX27-W
Weight (KG)	312	350	456	530
A (mm)	840	840	940	940
B (mm)	1360	1360	1500	1490
C (mm)	833	915	1000	1083
D (mm)	707	707	818	818
E (mm)	765	847	923	1023
F (mm)	1134	1134	1283	1283
G (mm)	1211	1211	1335	1335
H (mm)	85	85	115	115
I (mm)	230	230	241	241

2.2 Tools required for installation

Customers can judge whether fixing tools are needed according to "2.3 Installation Ground Requirements".

Expansion bolt M14 x 100*4 , the length can be selected according to the thickness of the ground; 17 and 22 wrenches.



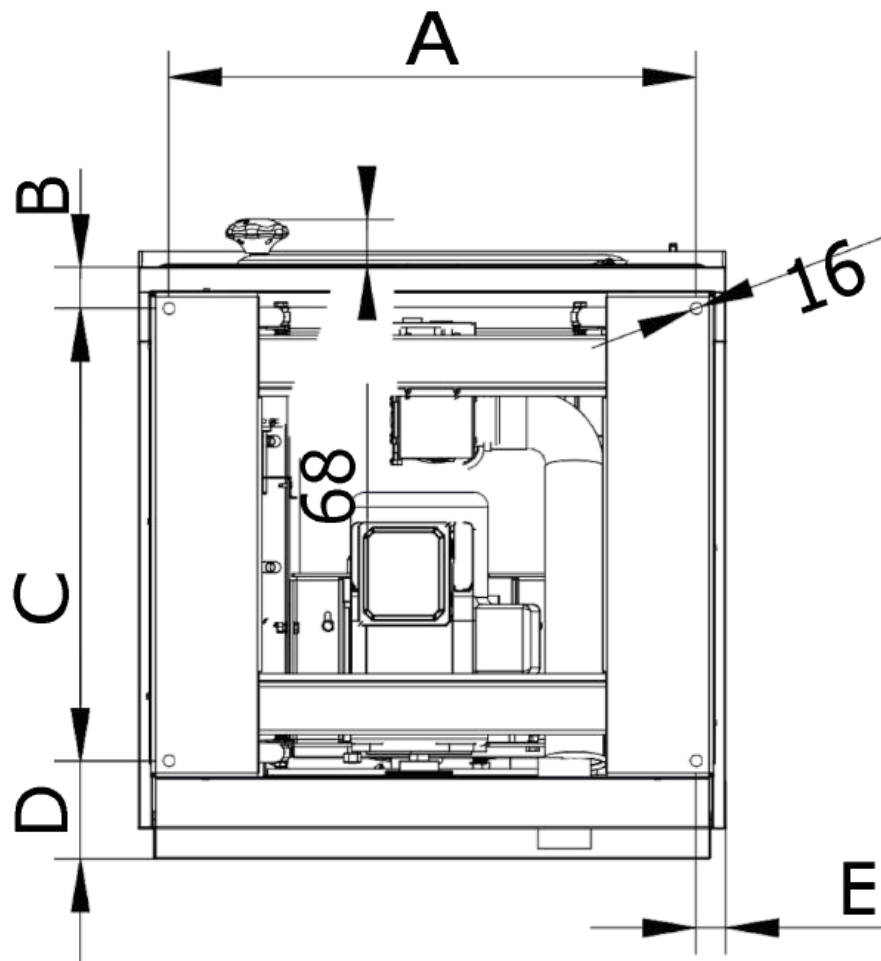
2.3 Installation ground requirements

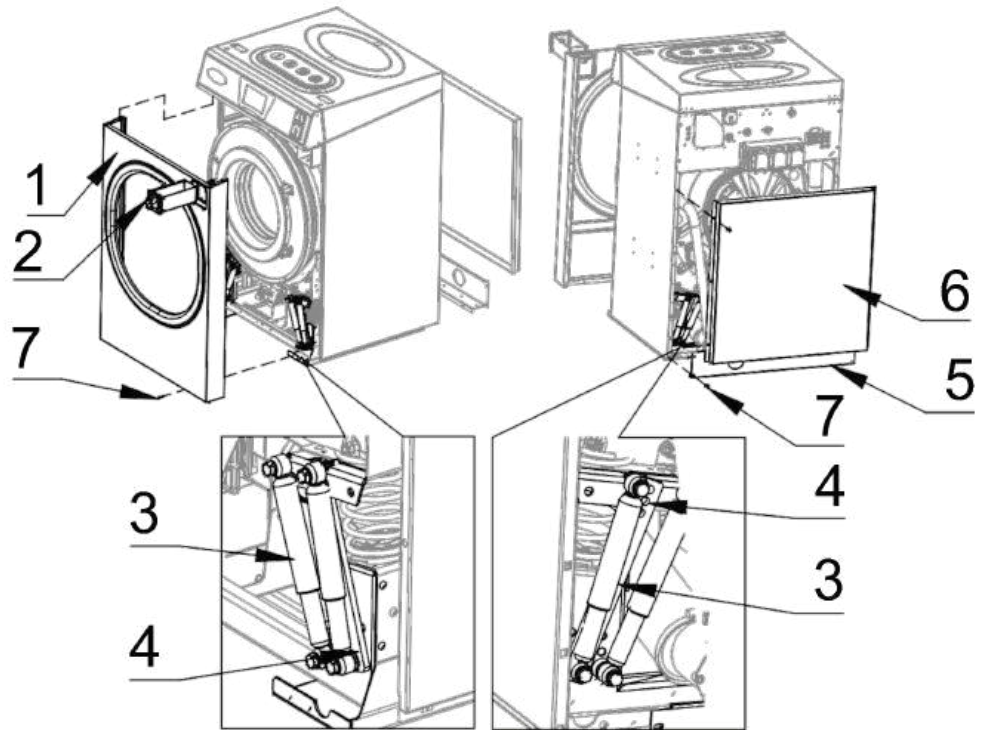
The soft mount washing machine absorbs most of the vibrations during operation through the shock-absorbing device, and the vibrations transmitted to the ground by the machine are very slight. If the ground is smooth and the friction is small, anchor bolts need to be fixed to prevent displacement during machine operation. Rough floors do not need to be fixed. If you need to fix the anchor bolts, refer to the table and picture below.

Ground type	Does it need to be fixed?	Ground type	Does it need to be fixed?
Tile	Need	Concrete floor	No need
Polished concrete floor	Need	Anti-slip floor	No need
Stone	Need	Felt floor	No need
Other smooth floors	Need	Other rough floor	No need

Table 2

model	LX13-W	LX16-W	LX22-W	LX27-W
A(mm)	753	753	857	857
B(mm)	59	59	67	67
C(mm)	567	647	699	799
D(mm)	140	140	157	157
E(mm)	43	43	41	41





1. Rear lower panel
2. Rear center panel
3. Screws
4. Front panel
5. Coin box
6. Damper
7. Transportation frame

2.4 Mounting

Before installation, use a No. 17 wrench to remove the transportation insurance and replace it with the damper that comes with the machine.

The damper is fixed on the transport frame using cable ties. Remove the transport frame and replace it with the damper.

Remove the front panel: Remove the 2 screws at the bottom and move the 9 panel downward to remove it.

Remove the rear panel: Remove 2 screws at the bottom and 10 screws on both sides, and the rear panel can be removed. 16 holes are reserved at the four corners of the bottom of the machine. Customers who need to fix it can use expansion bolts to fix it.

After the machine debugging is completed, install the three panels into their original positions.

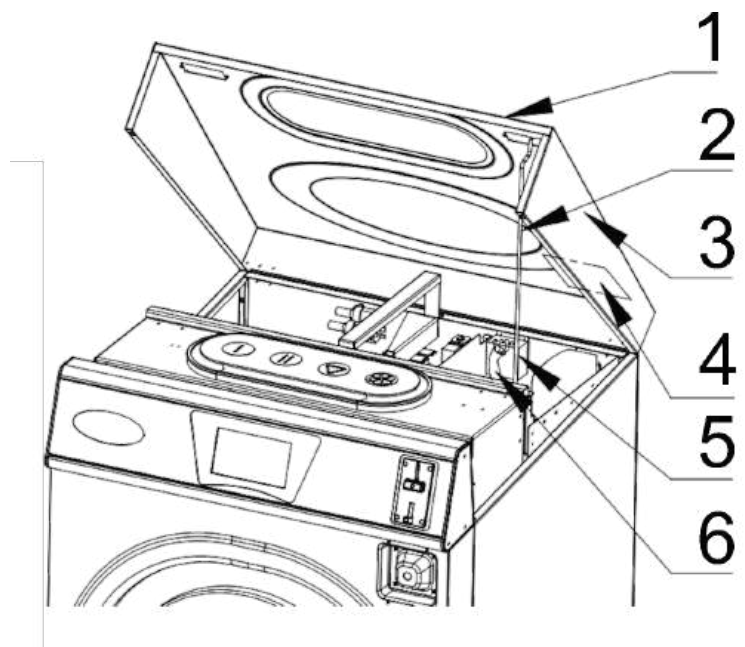
2.5 Wiring

Open the left and right locks on the top of the machine, lift the top cover up, stand up a support rod to support the top cover, and insert a qualified cable from the cable waterproof connector to the power switch.

Wiring reference electrical schematic diagram (included with the machine)

Please refer to the table below to select cables according to local electricity standards. Do not use cables that do not meet the standards to avoid damage to the machine and personal injury.

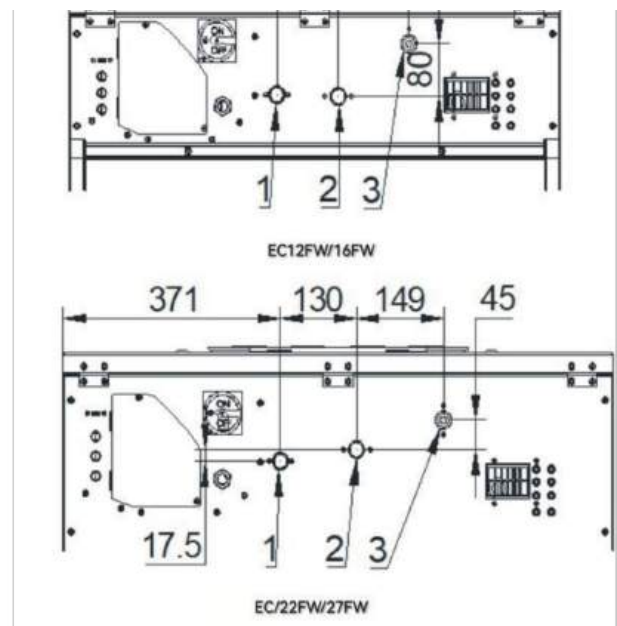
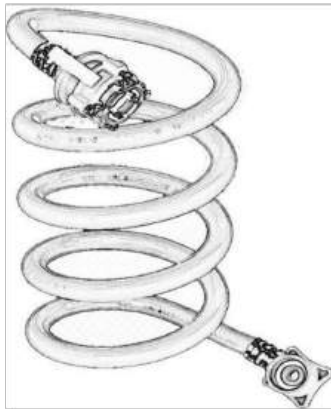
1. Lock
2. Support rod
3. Top cover
4. Electrical schematic diagram
5. Power switch
6. Cable waterproof connector



Model	Heating	Rated KW	Rated PH	Rated V	Rated A
LX13-W	Electric heating	13.85	18.57	220	62.96
				380	26.31
LX13-W	No heat/steam	1.85	2.49	220	8.41
				380	3.52
LX16-W	Electric heating	14.2	19.04	220	64.55
				380	26.97
LX16-W	No heat/steam	2.2	2.95	220	10
				380	4.18
LX22-W	Electric heating	19	25.48	220	86.37
				380	55.08
LX22-W	No heat/steam	3	4.03	220	13.64
				380	5.7
LX27-W	Electric heating	23.7	31.78	220	107.73
				380	45.02
LX27-W	No heat/steam	3.7	4.97	220	16.82
				380	7.03

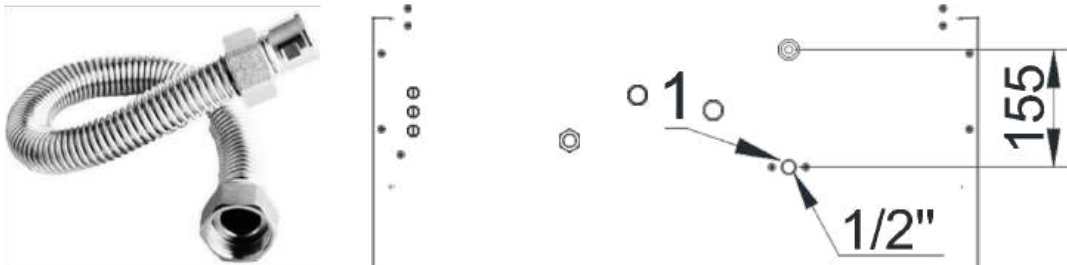
2.6 Water supply

The water inlet of the machine is set on the back and can be connected with the hose shown in the figure below. The interface specifications and dimensions are shown in the table below.



Inlet	Size	Filter	Max. tem	Max. pressure	default setting	use
1	3/4 "	yes	30 °C _	58 psi	cold water	washing water
2	3/4 "	yes	80 °C _	58 psi	—	Soap dispenser water
3	3/4 "	yes	80 °C _	58 psi	hot water	External soap dispenser

2.7 Heating connection



Steam heating machines use metal hoses to connect to the steam interface. The steam hoses need to be covered with insulation materials to avoid burns to operating and maintenance personnel.

If you need to use hot water for the non-heated model, you can connect the hot water pipe from the water inlet.

The heating machine has a built-in heating tube and does not require an external heating device.

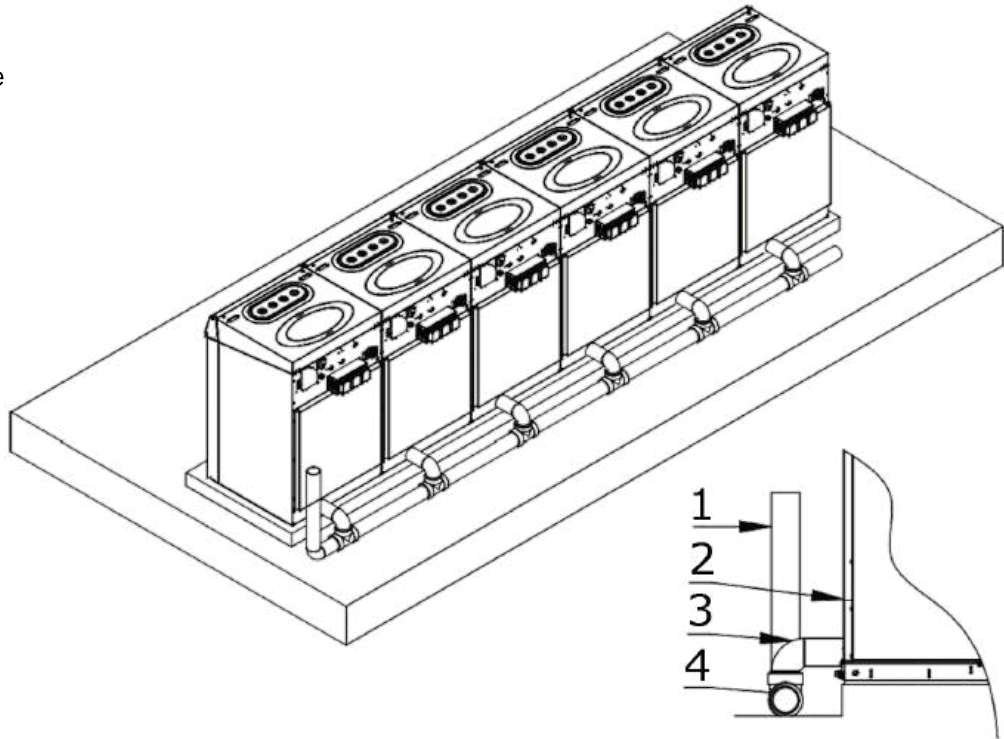
2.8 Drain

The machine drainage port is set on the back, the diameter of the drainage port is 76 mm, and the center of the drain outlet to the ground is 98 mm (refer to "2.2 Machine Dimensions").

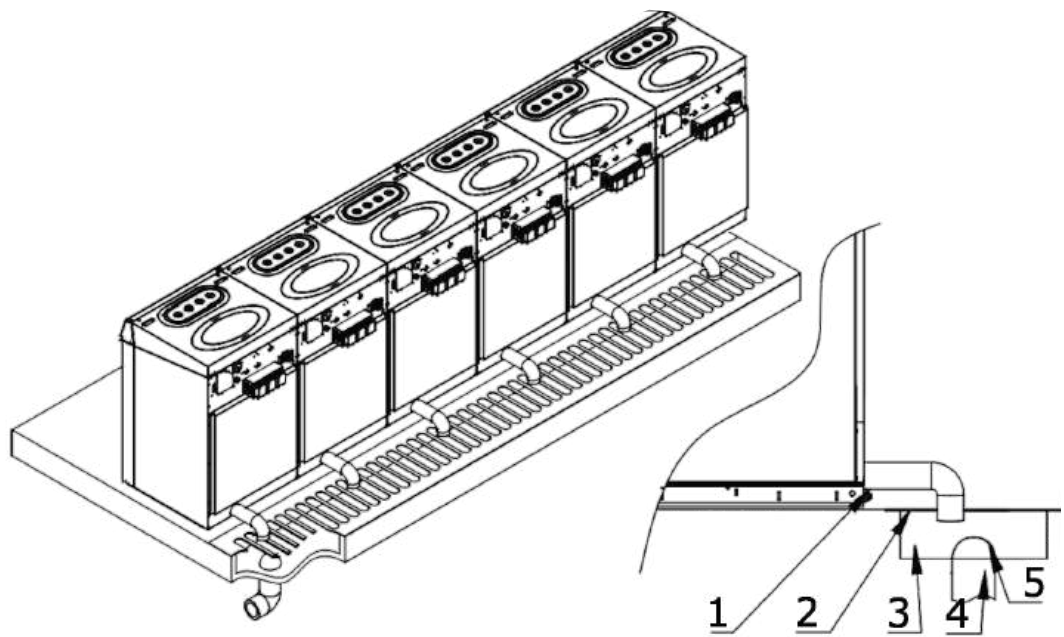
Users can arrange the drainage system according to actual conditions. The following two options are available for reference.

The lowest position of the drain outlet must be higher than the highest position of the main drainage pipe to prevent sewage from backflowing or accumulated water to produce odor, which will be transmitted to the inside of the machine through the drainage pipe and pollute the washing clothes and the air environment.

1. Air balance pipe
2. Machine
3. Drain pipe
4. Main drain pipe

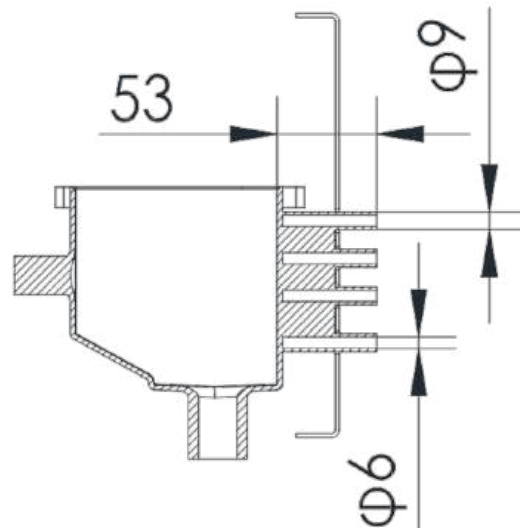
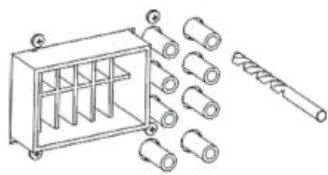


1. Drain pipe
2. Sink cover
3. Sink
4. Main drain pipe
5. Filter



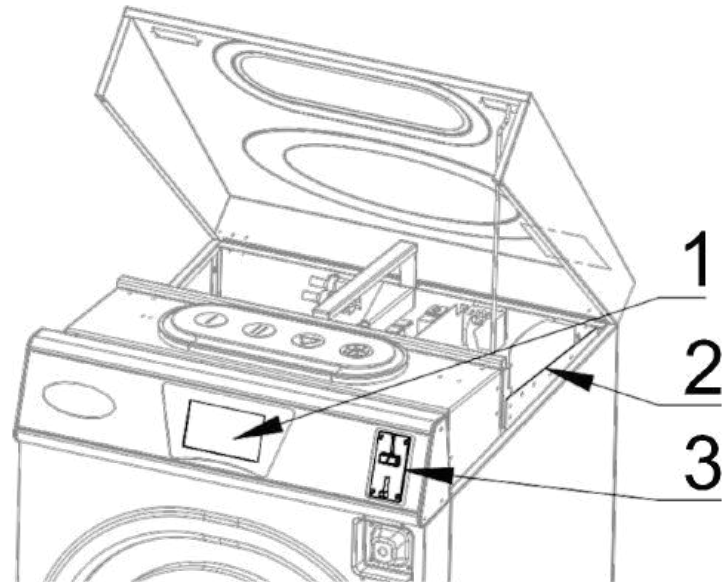
2.9 External soap dispenser

There is an expansion interface for the soap dispenser on the back of the machine. The interface is closed by default at the factory. Users who need to use it can use a 6 mm diameter drill bit to install an external dispenser.



3. Debugging

3.1 Debugging coin acceptor



1. Touch screen
2. Computer board
3. Coin acceptor

Before using a coin-operated machine, you need to adjust the currency type and coin amount according to your personal needs. Open the two locks on the top of the machine, lift the top cover upwards, set up a support rod to support the top cover, and debug the coin acceptor. For specific debugging methods of the coin acceptor, please refer to the "Coin Acceptor Manual".

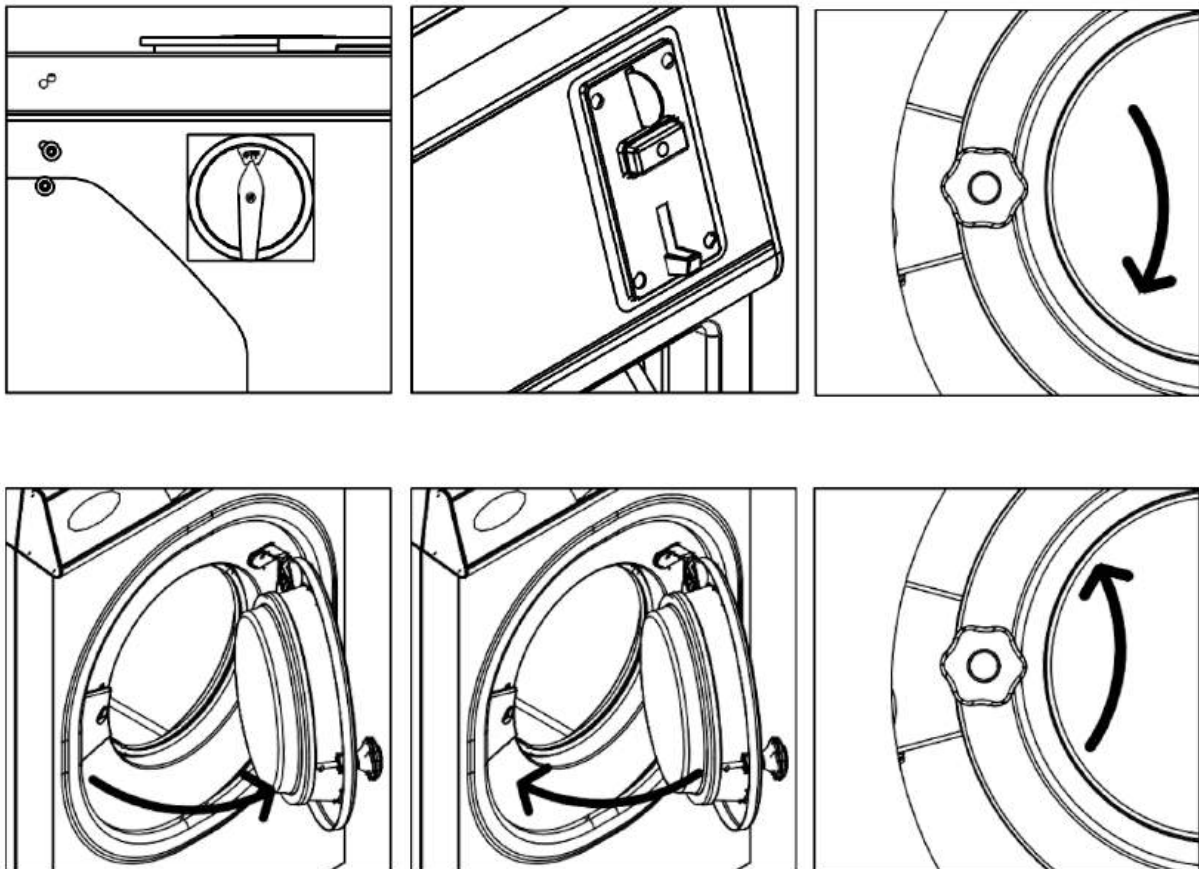
3.2 Debugging the washing program

Adjust the machine washing program: washing time, washing temperature, washing speed, soap rinse time, etc. For specific adjustment methods, please refer to the "Computer Board Manual".

If there are any abnormalities during debugging, please refer to "5.3 Common faults and solutions".

4. Simple operation

1. Confirm that the power supply, water supply and drainage are installed correctly, that there are no foreign objects in the machine, and that there are no dangerous objects around the machine.
2. Turn on the power switch
3. Insert coins (no such step for OPL TYPE)
4. Unlock (turn the door handle clockwise)
5. Open the door
6. Put in clothes
7. Close the door
8. Lock (anti-clockwise)
9. Start running
10. After the machine stops running completely, open the door.
11. Take out the clothes



5. Maintenance

5.1 Daily cleaning and maintenance

Only use low-foaming, non-foaming industrial cleaners to clean the inner drum. Make sure the detergent is rinsed off to avoid direct contact between the liner and the clothes, causing damage to the clothes. The back of the machine is made of galvanized sheet material and should be wiped clean in time after cleaning.

It is recommended that users perform inspection and maintenance on the following facilities within a fixed period:
whether there are any foreign objects inside the machine and whether there is any soap left in the soap dispenser box. Check once a day.

Check the coin-operated machine once a month to see if the coin acceptor is working properly, whether the water supply and drainage are normal and whether there is any leakage.

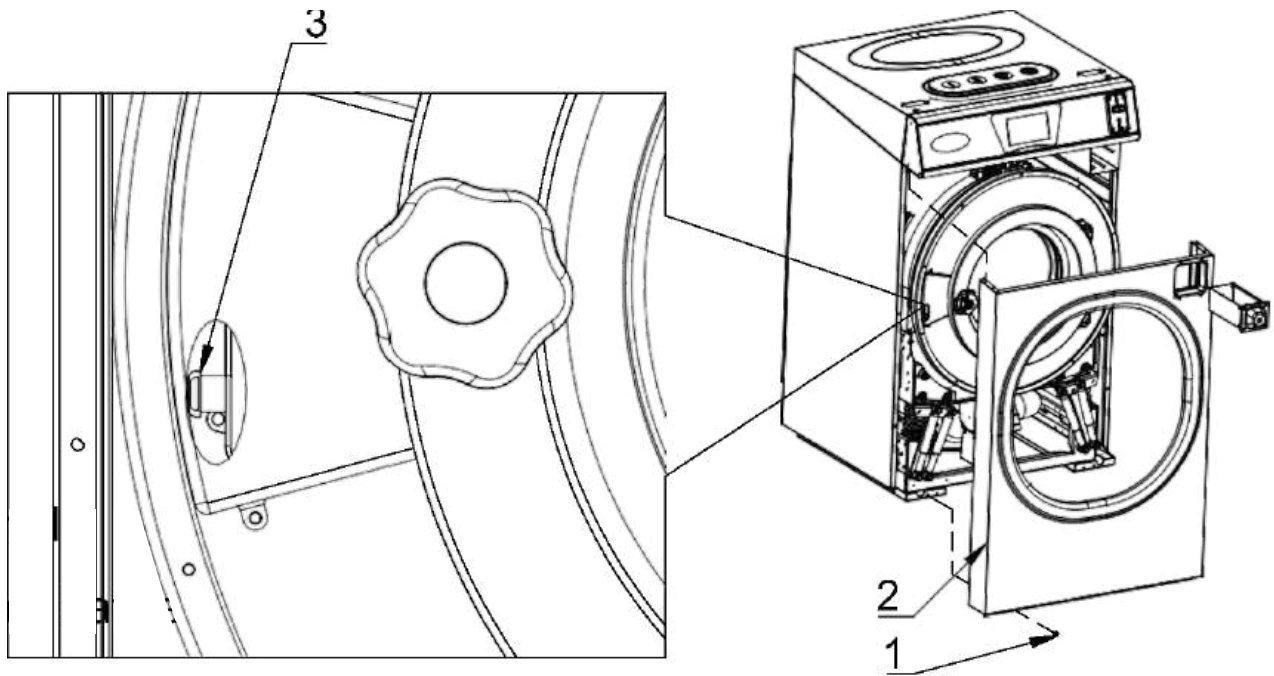
Check whether the belts and sealing rings are aged and damaged every six months.

Check whether the fixed feet are loose every twelve months.

5.2 Emergency unlocking

If there is a sudden power outage during normal washing and there is an urgent need to open the door, the door lock needs to be opened manually. For coin-operated machines, you need to take out the cash box first

1. Remove the front mid panel
2. Use a slotted screwdriver to turn the emergency unlocking lever to the right



1. Bolt
2. Front middle panel
3. Emergency unlock baffle

5.3 Common faults and solutions

1. UV light not working

- ① Please replace the three fuses of the machine if they are burned out normally.
- ② Check whether the 12V power supply is working properly and has voltage.
- ③ Whether the 12V intermediate relay is working properly and the antenna should be turned on after the coil is absorbed.
- ④ Check whether there is voltage at the nearest connector of the UV light. If there is voltage, it is likely that the light is burned out. Replace with a new light set.

2. After the door handle is closed, the screen still shows that the door is open.

- ① Move the micro switch to open the lock box for repair or replacement .
- ② The door micro switch is damaged, or the micro switch wiring is disconnected.
- ③ The door closing signal terminal of the electrical box circuit board fell off.

3. Unable to lock the door and display door pin input failure

- ① The electromagnetic lock does not output. 24v power supply failure or fuse damage electromagnetic lock failure
- ② Electromagnetic lock output. 1.The door pin micro switch wiring or the micro switch is damaged. 2.The mechanical output is blocked, and the electromagnetic lock pin is blocked and cannot fully output.
- ③ If there is an internal failure in the lock box , replace the lock box assembly.

4. The machine trips when power is supplied

- ① The wiring of the drain valve at the bottom of the machine is loose and short-circuited.
- ② The circuit in the electrical box fell off and short-circuited.

5. Door ring rubber ring leaking

- ① Replace the door rubber ring due to aging
- ② After the door handle is closed, the positioning pin is in the positioning hole. Close the door again and observe
- ③ Remove one door hinge pad to increase the compression strength.

6. The cold water valve does not enter water or the water enters slowly.

- ① There is water flowing but slowly. Check whether the voltage is normal.
- ② Clean the clogged water inlet of the water inlet valve
- ③ The water inlet valve does not let in water but the voltage is normal.
Replace the water inlet valve.
- ④ There is no voltage in the water inlet valve. Check whether the cold water point of the circuit board and N (neutral line) output 220V voltage, the fuse is burned out, etc.

7. There is no water in the hot water and soap liquid , please refer to the sixth item. If neither the cold water nor the hot water soap liquid can work , the fuse failure is more likely.

8. Overbalance

- ① Unable to come to extracting step, will report a fault. The limit switch not in the effective stroke, please put it back in the stroke.
- ② Check whether the input in the parameter is over-vibrated and the normally open or normally closed setting is normal.

9. There is loud noise during extracting.

- ① Is the motor tightened?
- ② Whether the pulley is tightened and tightened?
- ③ Belt slipping, tighten the belt or replace the drive belt with a new one